

EASY SOLUTIONS BULLETIN

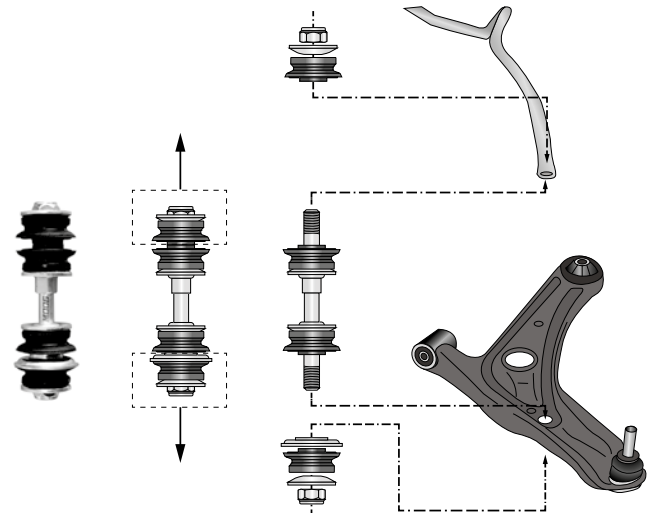


Fitting tip for the front axle stabilizer link bar for the popular Toyota Yaris

TOYOTA
YARIS

TO-LS-4733

MAKE	MODEL	Year from → Year to
TOYOTA	Yaris (_P1_) Yaris Verso (_P2_)	04/99 → 09/05 11/99 → 09/05
MOOG PART NUMBER	OE PART NUMBERS	DESCRIPTION
TO-LS-4733	4881952010	Stabilizer link bar LH/RH



Challenge

MOOG part number TO-LS-4733 is supplied with the rubber bushes and washers which are assembled in a specific sequence for correct fitment. In order to fit the replacement stabiliser link bar to the vehicle it is necessary to dismantle the kit, connect to the wishbone and the anti-roll bar and then re-assemble. However, it is common place that the installer assembles the components in the incorrect sequence as to the way they were removed. When this happens it is likely that the part will not function correctly and in due course fail.

Easy Solutions

In order to avoid premature failure it is necessary, when fitting the kit to the vehicle, to re-assemble the components in the same way as they have been supplied. The diagram above demonstrates the correct way to assemble the kit to the vehicle thus ensuring a trouble free service and prolonging the life of the part.



PRMMO1608-EN

MAKE IT EASY. MAKE IT

