

# DID YOU KNOW?

## ALWAYS USE CORRECT NUT PROVIDED BY MOOG

### ADVICE FOR THE PROFESSIONAL DYK21-01

#### SOME VAG MODELS CAN BE EQUIPPED WITH TWO DIFFERENT TYPES OF WHEEL KNUCKLES

AUDI A3 2003 -->  
SEAT Leon 2005 -->  
SKODA Octavia 2004 -->  
VW Golf 2003 -->

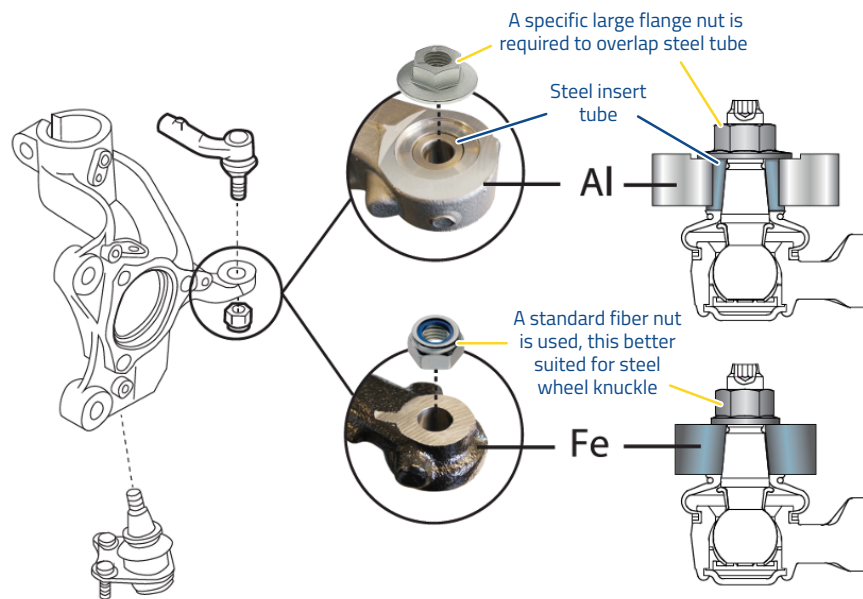
#### OVERVIEW

MOOG provides different references for tie rod ends and suspension ball joints according to the material specification of the wheel knuckle. The variation is generally the supplied fitting nut.

- **Steel knuckle:** Typically used on standard model versions.
- **Aluminum knuckle:** Often reserved for higher performance models or vehicles with larger rim sizes.

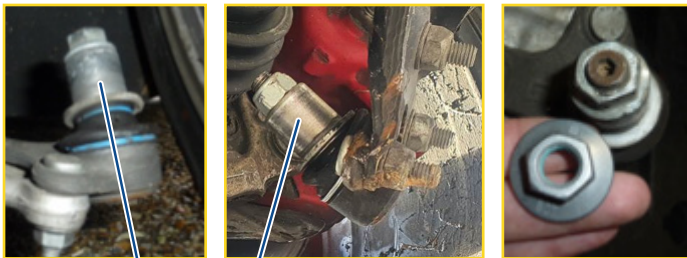
#### KNUCKLE NUT FITTING TYPES

The aluminium version is equipped with a steel insert tube to help avoid premature damage of the aluminium taper seat. The fitting nut flange fully overlaps the tube to ensure the tube is safely retained. A large flange nut is required in this instance while a standard fibre nut is best suited for steel knuckle type.



#### IMPORTANT TIP

Using the correct nut is very important, especially in the case of an Aluminium wheel knuckle. Even when the steel tube is securely pressed inside the knuckle, without the overlapping flange of the nut, an abnormally high impact (such as a pothole, kerb or other raised surface) could cause the insert to jump out of its Aluminium housing.



Steel insert tube

MOOG recommends to always check that the correct nut is used for these according to the wheel knuckle type.

For additional technical support visit  
[www.drivparts.com/en-eu/garagegurus.html](http://www.drivparts.com/en-eu/garagegurus.html)



FOLLOW US  

[www.moogparts.eu](http://www.moogparts.eu)

